

1700, Setlakwe Street
 Thefford Mines (QC) G6G 8B2
 CANADA
 www.technometalpost.com

CONFIDENTIAL

THE INFORMATIONS CONTAINED
 IN THIS DRAWING IS THE SOLE
 PROPERTY OF TECHNO METAL POST INC.
 ANY REPRODUCTION IN PART OR
 AS A WHOLE WITHOUT THE WRITTEN
 PERMISSION OF TECHNO METAL POST INC.
 IS PROHIBITED

REVISIONS

DATE	DESCRIPTION	REV.

Client :

Client adress :

Project :

Drawing :
**Supporting Plate
 Model #7
 (adjustable support)**

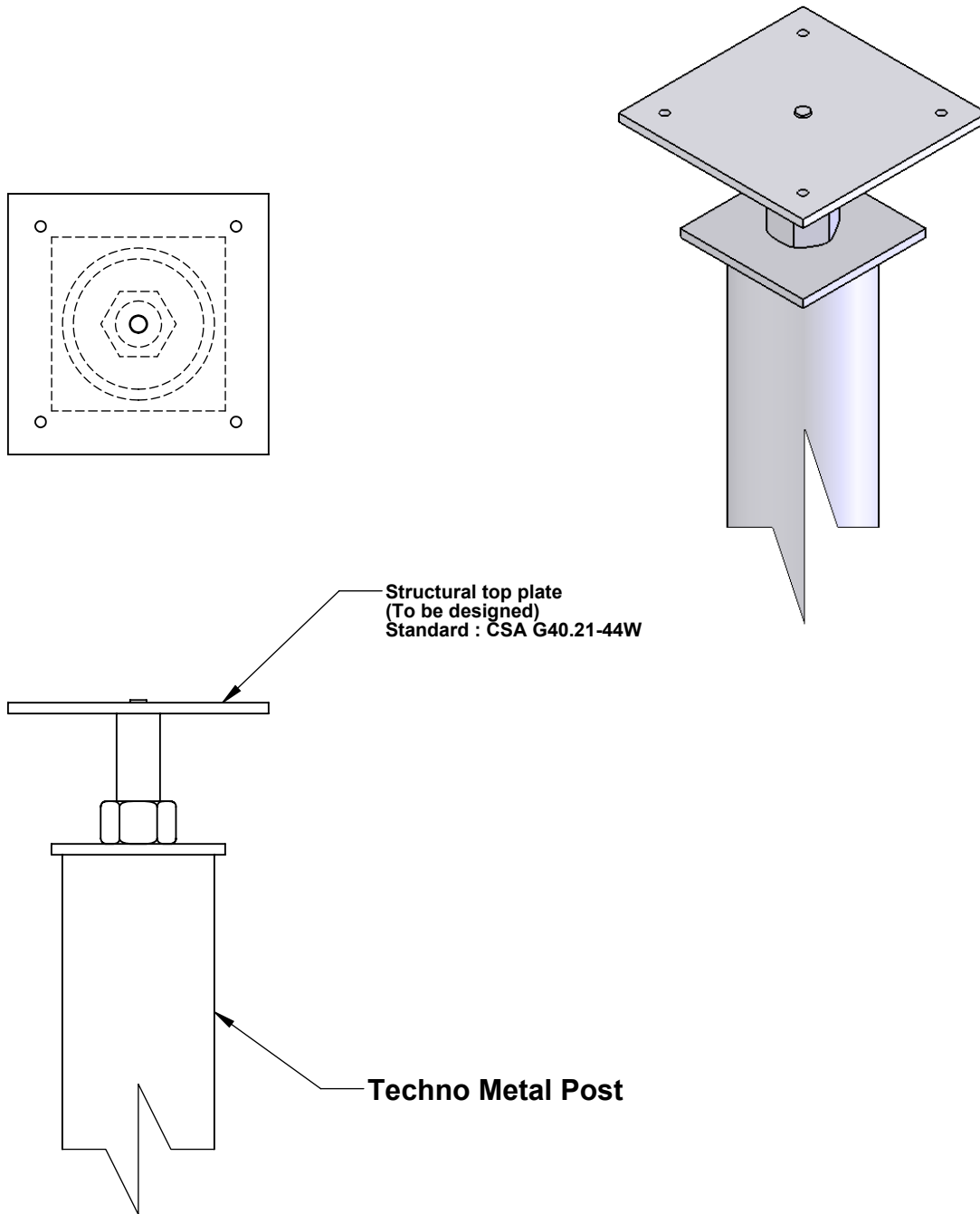
Approved by :

Date :
 2014-03-31

Scale :
 N/A

Drawing no:
 PLATE #7-A

Page number :
 SHEET 1 OF 1



Structural top plate
 (To be designed)
 Standard : CSA G40.21-44W

Techno Metal Post